

2400 BOUNDARY ROAD
 BURNABY B.C. V5M3Z3
 CANADA

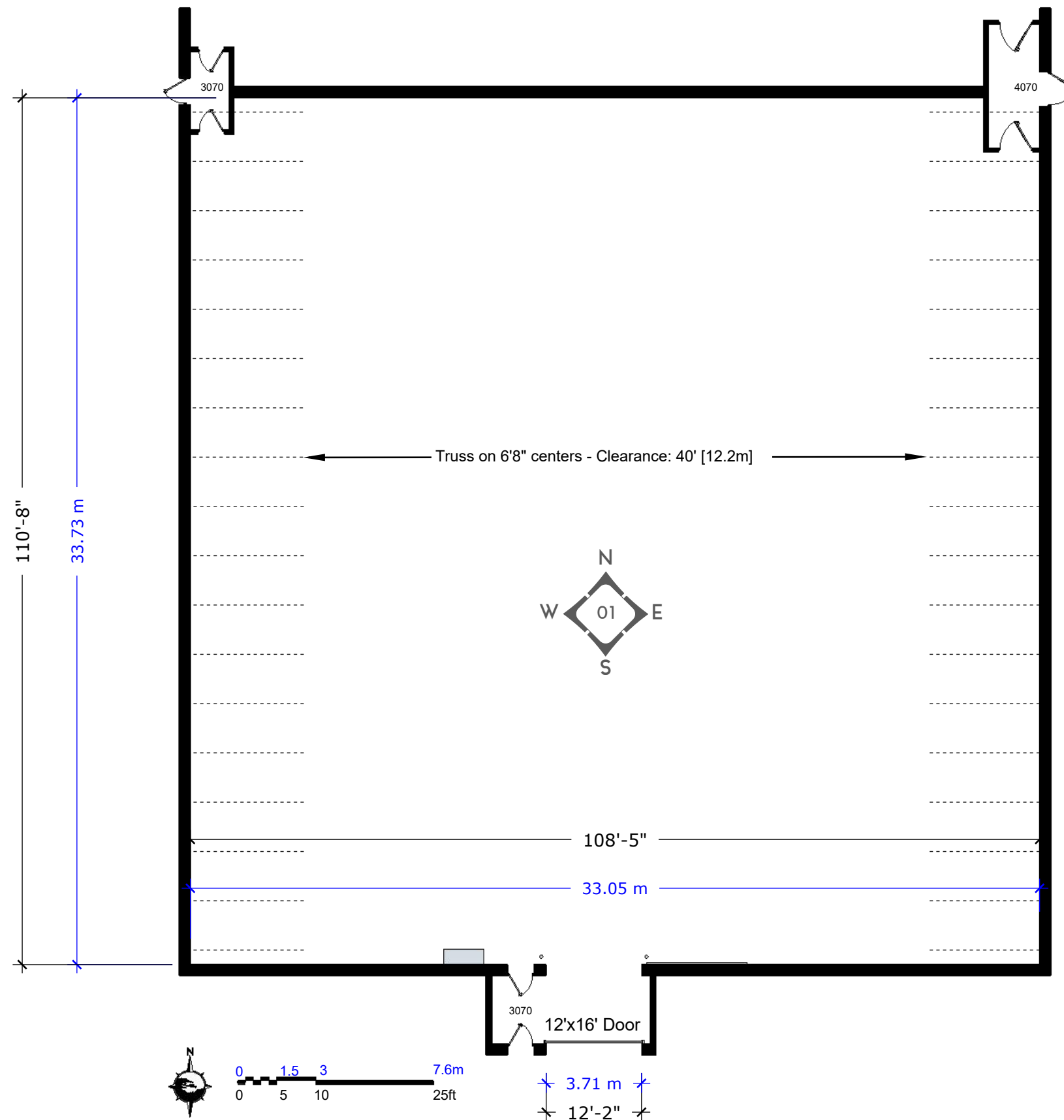
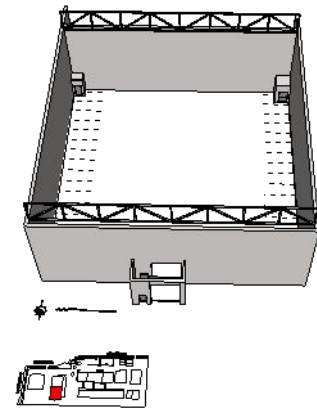
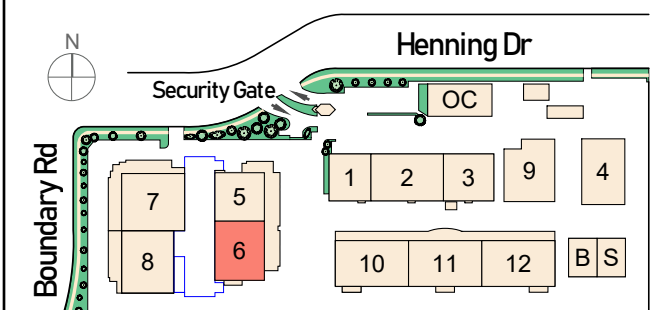
T: 604.482.2000
 F: 604.482.2007

SOUND STAGE: 6

FEATURES

- 11,998 sq.ft. [1114.7m sq.]
- Soundproof
- Elephant Doors
- 3200amps 120/208v
- GRID = 4,600lbs./ point on Truss
- Interior is checkered acoustical panels
- 12,000cfm exhaust fan

SITE LEGEND



S6 STAGE 6 - PLAN
 scale: 1/16" = 1' [1:192]

2400 BOUNDARY ROAD
 BURNABY B.C. V5M3Z3
 CANADA

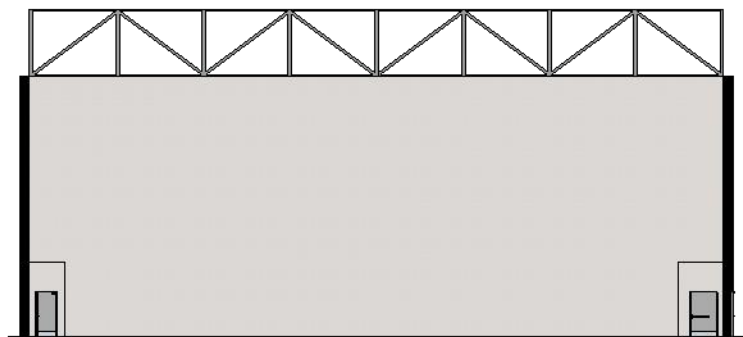
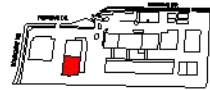
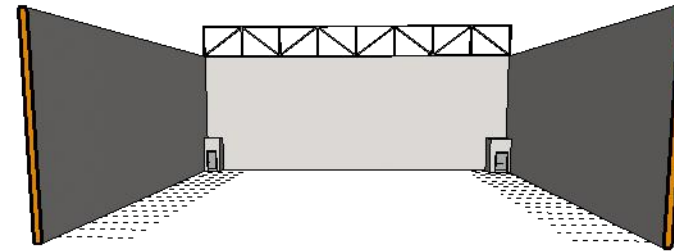
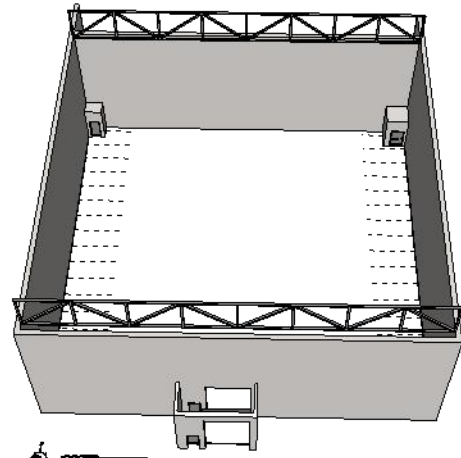
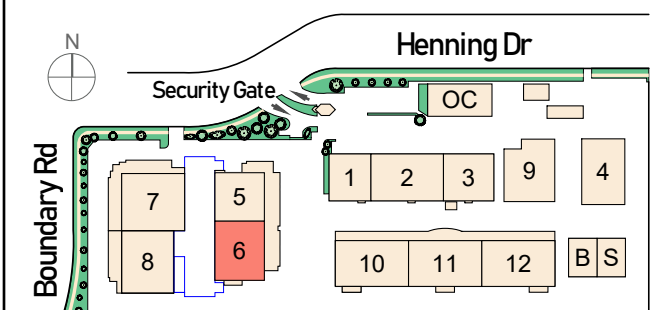
T: 604.482.2000
 F: 604.482.2007

SOUND STAGE: 6

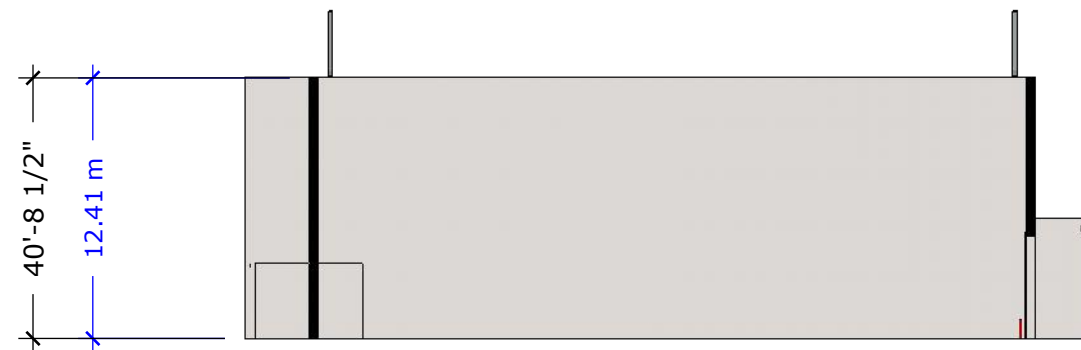
FEATURES

- 11,998 sq.ft. [1114.7m sq.]
- Soundproof
- Elephant Doors
- 3200amps 120/208v
- GRID = 4,600lbs./ point on Truss
- Interior is checkered acoustical panels
- 12,000cfm exhaust fan

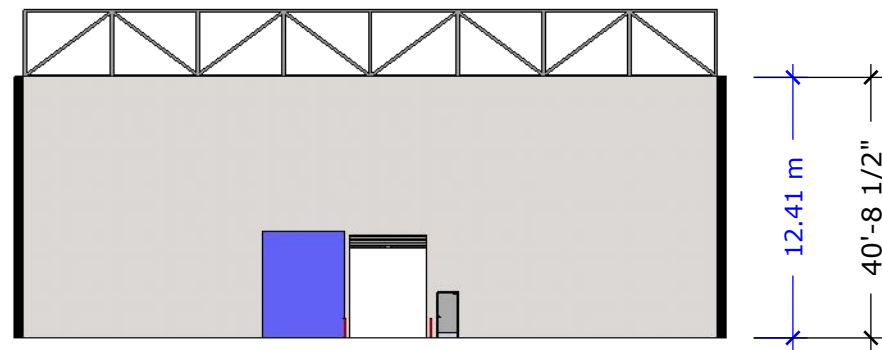
SITE LEGEND



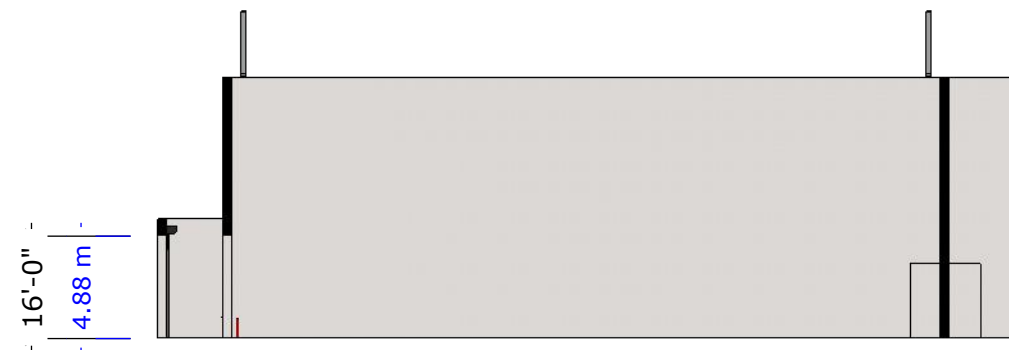
N ELEV NORTH
 scale: 1" = 30' [1:360]



E ELEV EAST
 scale: 1" = 30' [1:360]



S ELEV SOUTH
 scale: 1" = 30' [1:360]



W ELEV WEST
 scale: 1" = 30' [1:360]